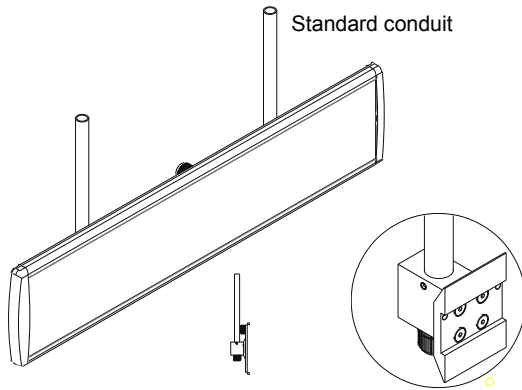


## Brackets and Bezels

The following mounting options are available for the 470 and 790mm wide Ultra range of LED signs. The drawings below show the sign mounting arrangement, a cross sectional view and a bracket system that fits onto the back of the signs. The conduit shown in the ceiling mount brackets is an industry standard electrical conduit.

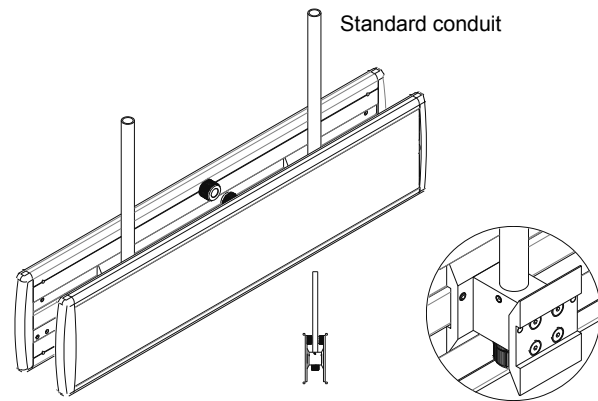
### Ceiling mount bracket — Single Sign

Part no. LEDS-ULT-CMB



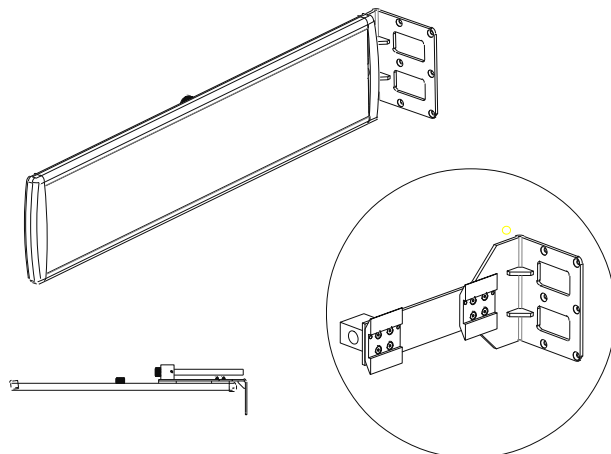
### Ceiling mount bracket — Double Sign

Part no. LEDS-ULT-CMB2



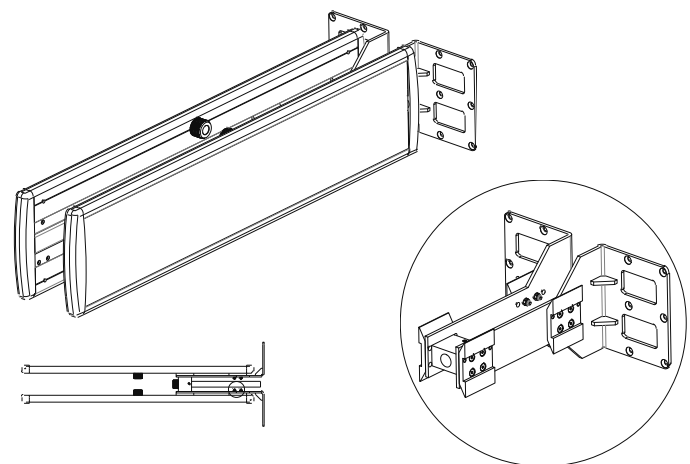
### Wall mount bracket — Single Sign

Part no. LEDS-ULT-WMB



### Wall mount bracket — Double Sign

Part no. LEDS-ULT-WMB2



### Flush Mount Bezel

The flush mount bezel is available for mounting single or multiple stacked Ultra signs flush to a wall.

(One sign is shown in this example)

- LEDS-ULT-470-FMB1 for 1 sign
- LEDS-ULT-470-FMB2 for 2 signs
- LEDS-ULT-470-FMB3 for 3 signs
- LEDS-ULT-470-FMB4 for 4 signs

